



PDSR30

Power Steering Walkie Reach Truck



CAPACITY

3000 lbs. at 24" load center

BATTERY COMPARTMENTS

31.6" x 9.06" x open

31.6" x 13.1" x open (PDSR30-189)

SPEED

ZAPI travel controller

TRAVEL

Variable from 0 mph to 3.4 mph empty

Variable from 0 mph to 3.1 mph loaded

LIFT

Up to 26 fpm empty.

Up to 20 fpm loaded—3000lbs

LOWERING

Up to 33 fpm empty.

Up to 52 fpm loaded—3000lbs

WEIGHT

3,690-4,200lbs Chassis Only

TIRES / WHEELS

DRIVE

10" x 4" polyurethane

DUAL LOAD

(2) 4" x 2.75" polyurethane

HYDRAULICS

Lift cylinder has hard chrome plated rods. Pump unit including motor, solenoid, gear pump, and pressure compensated lowering valve are mounted high in the power compartment for ease of service.

ELECTRICAL

24-Volt ZAPI Combi AC inverter, travel control with matching drive motor provide high performance throughout the entire speed range. Travel speed remains constant relative to throttle position regardless of load. Separately fused power control circuits, quick disconnect EPD power cut off, and hour meter / battery discharge indicator combination gauge complete the system. Power configurations and diagnostic features are displayed with a ZAPI handheld console.

BRAKES

Electromagnetic brake is mounted on the motor armature shaft multiplying the braking power through the transmission.

Brake is applied when the control arm is in the vertical or horizontal handle position. Travel speed is reduced when forks are above 12" fork height. Neutral braking resists roll back on ramps.

CONTROLS

Travel, lift, and lower functions are located in the ergonomic operator handle. All operator controls are accessible without having to lift the hand from the handle.

Angle grips are designed to allow easy operation with either hand. Wrap around guard, reversing switch, thumb control, and horn are standard.

Top mounted tiller arm offers excellent operator comfort and minimum steering effort. Gas assisted spring gently returns handle to vertical position.

TRANSMISSION

Vertically mounted drive motor is direct mounted to gear housing. Oil bathed bevel gear drive train with tapered roller bearings transfers power to axle. State of the art optimized gear technology supplies advantages such as zero maintenance, low noise level, high efficiency and high performance.

MAST & PANTOGRAPH

I-beam mast with dual lifting chains. Pantograph stroke extends the fork carriage beyond the units straddle legs, with integral tilt and sideshift.

STRADDLE LEGS & FORKS

Fixed straddle leg inside dimensions (ID) available at 34" or 42" resulting in a 42" or 50" outside dimension (OD)

Class two ITA fork carriage with 36" tall load back rest. 42" Forks are adjustable.

BEARINGS

Drive Wheels: Tapered roller bearings sealed in oil bath

Load Wheels: Sealed ball bearings

ACCESSIBILITY

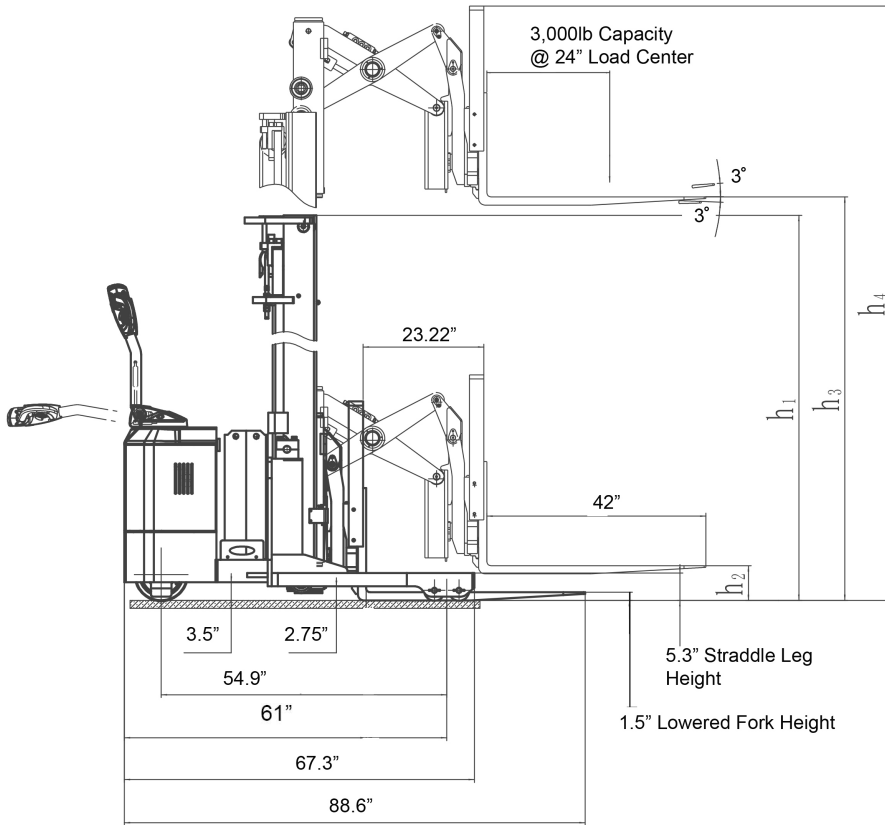
Removal of two piece power head cover exposes major components for inspection and maintenance

STANDARD EQUIPMENT

- Power Steering
- Pantograph with Sideshift and Tilt
- Proportional Lift, Lower & Extend
- Regenerative Braking
- Low Battery – Interrupt
- Hour Meter BDI Combo Gauge
- Key Switch

OPTIONAL EQUIPMENT

- Traction Drive Tire - Poly
- Straddle ID/OD of 34/42 or 42/50
- ClearView Polycarbonate Mast Guard
- 224 AH AGM Battery Pack w/110V charger
- Industrial Battery 255 AH with External Charger



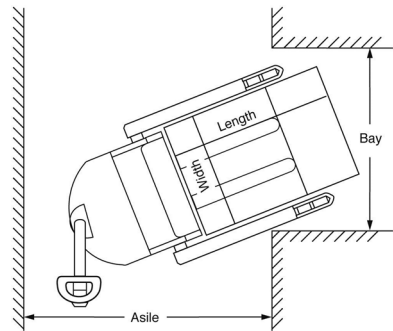
Aisle Guide

PDSR30 Right Angle Stack Dimensions with 42\"/>

Load Size	36\"/>		
36\"/>	79.5\"/>	79.5\"/>	79.5\"/>
40\"/>	81.0\"/>	81.0\"/>	81.0\"/>
48\"/>	85.3\"/>	85.3\"/>	85.3\"/>

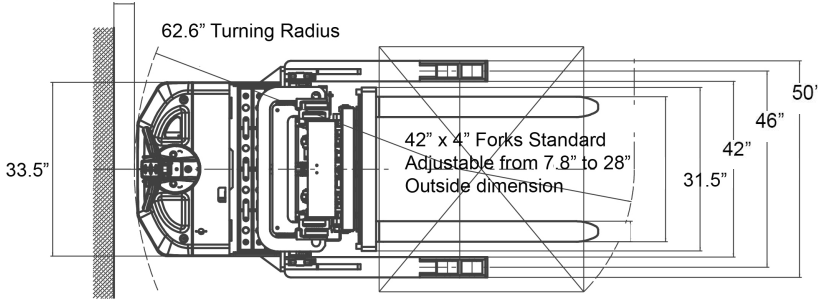
For ease of use add 8\"/>

For units with 34\"/>



Aisle dimensions listed above assume the minimum bay width to be straddle OD plus 5\"/>

Overall length increased by up to 3\"/>



All measurements show in standard "inch" units

Truck Model 24\"/>	Straddle ID/OD	Mast	Lift Height (h3)	Collapsed Height (h1)	Free Lift (h2)	Extended Height (h4)	³ Weight (lbs)	
3000 lbs. Capacity								
PDSR30-106	34/42 or 42/50	Two Stage	106	74.5	6	142	3690	
PDSR30-126	34/42 or 42/50	Two Stage	126	83	6	162	3750	
PDSR30-157*	34/42 or 42/50	Three Stage	157	77.5	39	193	3980	
PDSR30-189**	42/50	Three Stage	189	88.3	41	225	4200	

*Derates 500lbs over 126"

**Derates 500lbs. over 126" and 1,500lbs. over 157"

³ Estimated shipping weight without battery